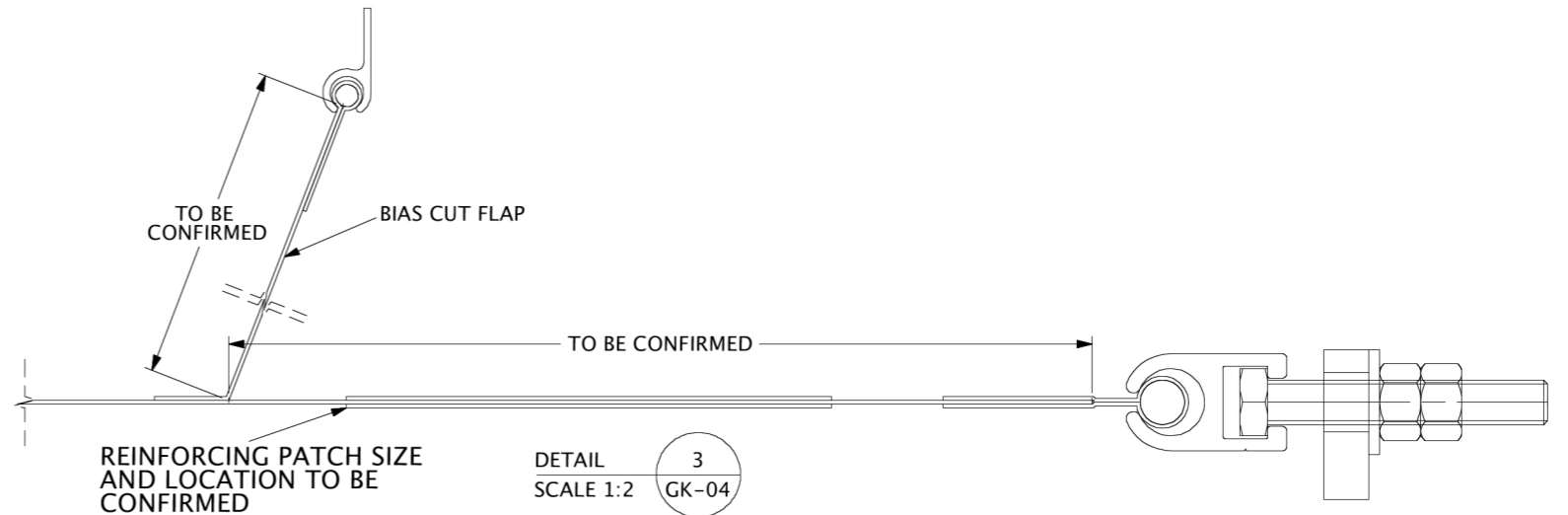
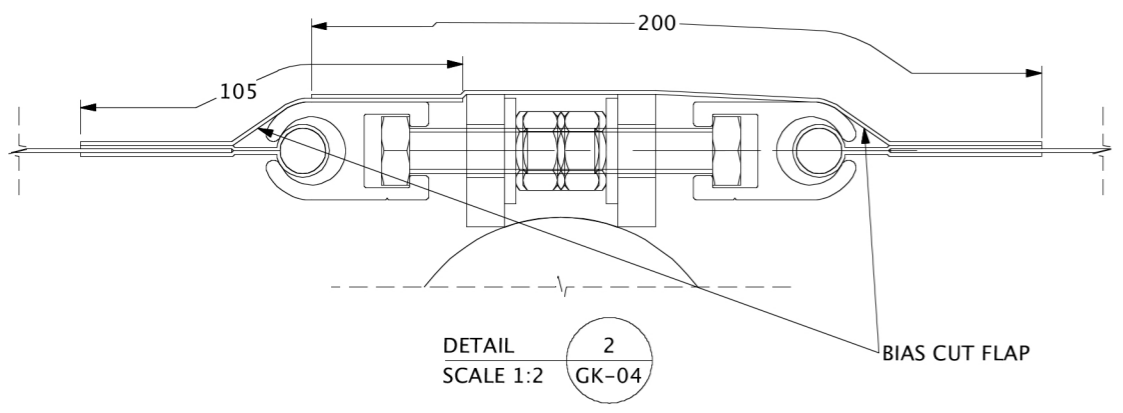
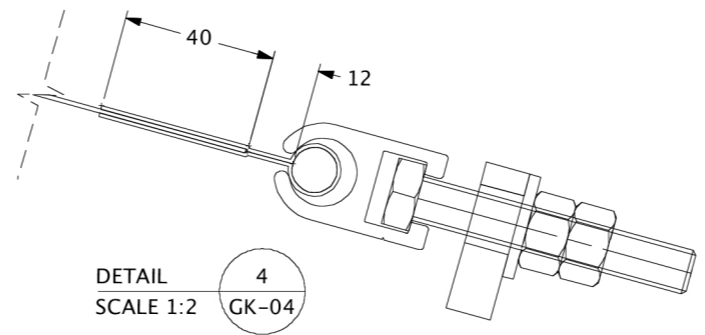
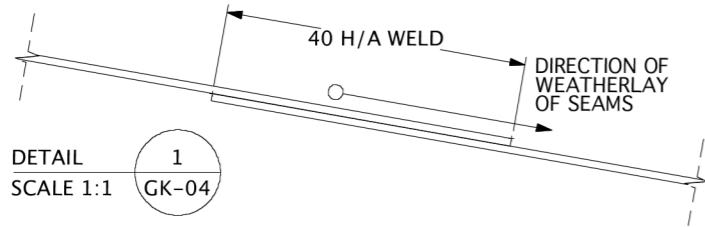


NOTES
 1 VIEWED FROM TOP OF STRUCTURE (GOODSIDE OF FABRIC)
 2 FABRIC IS HIRAOKA HG102-HT 2.04m WIDE
 3 COMPENSATED 0.2% WARP AND 1.75% WEFT
 4 WEATHERLAY IS GIVEN BY ○ →



CLIENT		GREENSCHOOL KINA	
TITLE		PANEL 2 & 3 LAYOUT	
DESCRIPTION		----	
Scale: 1:80 UNO	Approved:	Sheet: 1 OF 1	
Date: 27/04/2022	SFX Job #:	Supersedes: .	
Drawn: HSD	Dwg #: GK-04	Rev. A	A3

A	27/04/2022	For Approval	HSD
Rev	Date	Description	By